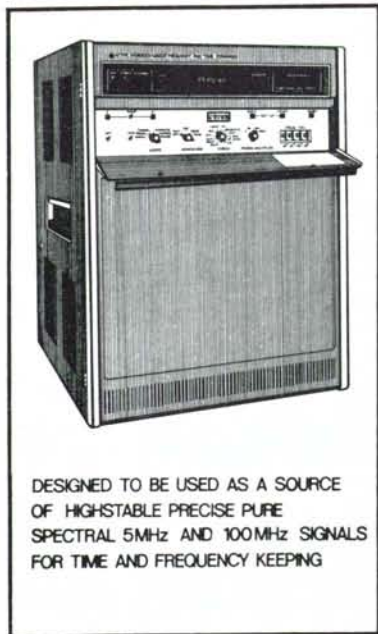




ラジオ計測技術
ラジオ計測技術

Active Hydrogen Maser Frequency and Time Standard CH1-75



DESIGNED TO BE USED AS A SOURCE OF HIGHSTABLE PRECISE PURE SPECTRAL 5MHz AND 100MHz SIGNALS FOR TIME AND FREQUENCY KEEPING

COMPOSITION AND PRINCIPLE OF OPERATION

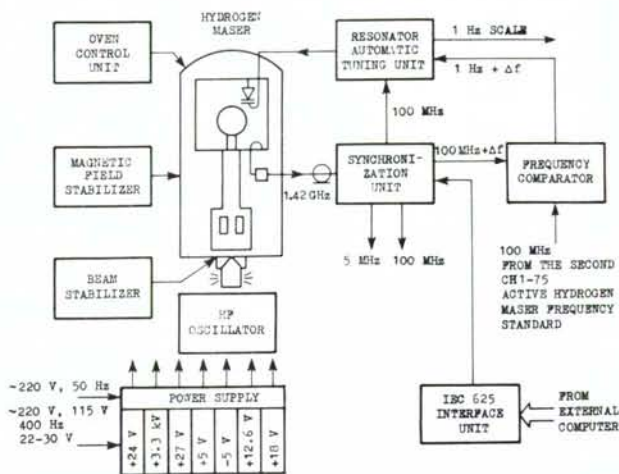


Fig.1. CH1-75 Simplified Block-diagram.

The CH1-75 principle of operation (Fig.1) is based on 5 MHz crystal oscillator frequency phase locking to the hydrogen maser signal.

APPLICATION

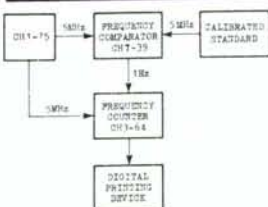


Fig.5. Frequency standard calibration block-diagram using external frequency comparator

Active maser frequency standards provide metrological verification of quantum frequency standards of different types (rubidium, cesium, hydrogen and others) during their development, production and service. (Fig.5,6).

On the base of time and frequency hydrogen standards small-size time and frequency systems are developed.

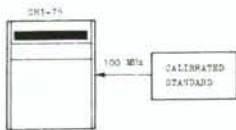


Fig.6. Frequency standard calibration block-diagram using a built-in comparator and a frequency counter

- High resolution satellite NAV systems can be built on hydrogen frequency standards base.
- Radiointerferometer with superlong base, using hydrogen frequency standards, provides angular resolution $\sim 10^{-3}$ seconds of arc, that for example allows to determine continent shift with centimetric error.



詳しい資料のご請求は営業本部まで

総合電子株式会社

営業本部：〒206 東京都多摩市永山6-22-7 多摩郵便局 私書箱32号 TLX.283-244I

TEL.0423-37-4411(代) FAX.0423-37-4433

大阪営業所：〒532 大阪市淀川区西中島7-12-5 TEL.06-300-1730 FAX.06-300-1731